

# Ella Multi-Piece Cultured Marble Shower Wall Surround

Installations Manual

**ella**  
by ella's bubbles



Important Information- READ BEFORE UNPACKING.....	1-2
Multi-Piece Shower Wall Panel (3 Options).....	3
Shower Accessory Package Examples (4 Options).....	4
Installation Sequence.....	5-6
Material & Tools Required.....	7
Installation Guidelines- Shower Panels.....	8
Installation Instructions for Shower Panels.....	9-11
Installation Tips for Decorative Tile Strips.....	12
Installation Guidelines- Shower Base.....	13
Installation Instructions for Shower Base.....	14-16
Installation Instructions for Shelves.....	17-18
Cleaning Guidelines.....	19
Cultured Marble Shower Wall Surrounds & Base Limited Lifetime Warranty.....	20

**WARNING:** In case of crate, package or product damage please call 800-840-6850 to ensure a proper claim can be submitted to process your return and refund. The claim must be made within 2 days of receiving the order in order to be eligible for a refund. The evidence must be documented by photographing and writing a description of the damages and immediately contacting Daphne at Daphne@ellasbubbles.com. Note: refunds do not apply to nonrefundable clearance items. If the crate is received without damages, proceed to the next step.



8-Piece



6-Piece



4-Piece

### CAREFULLY READ THE INFORMATION BELOW BEFORE UNPACKING AND INSTALLING THE PRODUCT

The 8-panel cultured marble shower wall kit is designed for shower wall surrounds, while the 6-piece wall kit is intended for walk-in bathtub surrounds. Additionally, the 60" tall 4-piece kit is commonly used for bathtub surrounds. The Ella multi-piece shower panels offer unique customization of panels and accessories. Accessories or shelves can be positioned at different heights or based on customer's choice. This manual covers all shower package options with trims and accessories, so please refer only to your purchased shower wall package and instructions below.

#### Unpacking the Product

The 8, 6 or 4-piece shower kit is shipped on a flat, well protected 64"x40" custom designed honeycomb pallet. The panels are laid flat with a foam layer in between each panel for extra protection. Also, straps hold the cardboard cover and panels in place. To unpack the products, cut the straps and remove the cover. Please take caution when lifting the panels or accessories as to not drop them on the floor or hit the corners of the panels, which may result in chips or cracks.

#### Planning the Layout of Panels and Accessories

Please carry each individual panels to the bathroom safely by taking extra caution to avoid hitting the panel on corners to avoid chipping or breaking. Keep in mind that these panels are designed for one side to be cut to fit into place, so small chips or imperfections on one side of the panel's edge is acceptable. Please view pages 3-4 to carefully plan the layout of your shower surround. Next, create a plan to make the appropriate cut(s) to the panel. It is crucial to make the correct measurements in order to avoid mistakes. Side wall panels will cover the back-wall panels, so cuts must be made on the inside corner edges to keep the factory finish edges at the joint lines or the exposed side panel edges. Please note: side wall panels are 36" wide and can be cut to size for correct fit around the shower base or bathtub. These are only general instruction so please consult with a professional installer to ensure correct installation.

### Recommendations for Trim

If the shower base and the walls both measure 36," the 2" x 3/" thick trim and/or other selected trim should be used to cover the exposed edges of the shower/bathtub side wall panels and base. Trim may not be needed for shower walls overlapped on shower bases less than 36" - see pages 5-6.

Reminder: Small imperfections on the edges to one side of a panel that has to be cut to size are acceptable, so please select the best side/edges of the panel for joint or exposed edges. Side wall panels in an alcove will cover the back wall panel with a ¼" overlap and 100% silicone in a matching color for the best finish, look and seal. Decorative tile supplied by the customer can be used in between panel joints to improve the design or to add to the size of the shower (see page 7). Please inspect each panel and/or accessory (if applicable) and plan your installation carefully to avoid wrong cuts and mistakes.

### Requirements for Returns & Packing

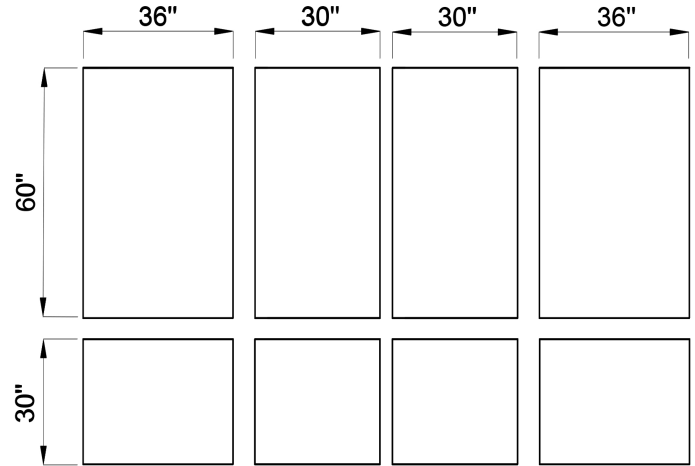
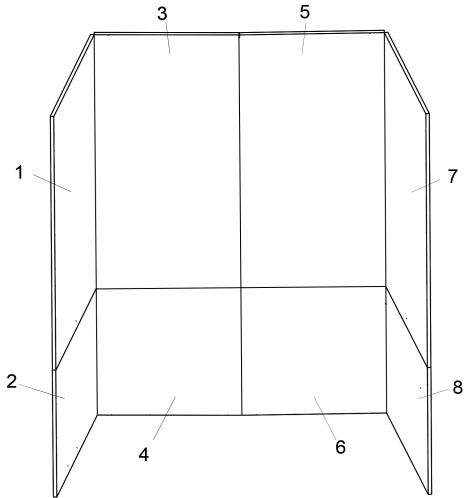
**WARNING:** In case of crate, package or product damage please call 800-840-6850 to ensure that a proper claim can be submitted to process your return and refund.

Please save the original packing in case of returns. The returned shower kit must consist of all original parts/accessories and in originally received condition.

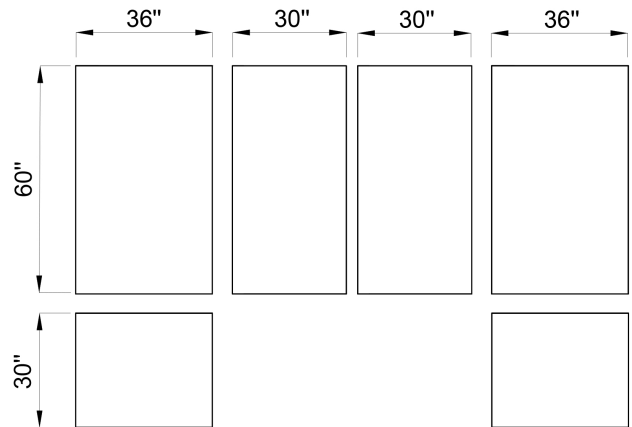
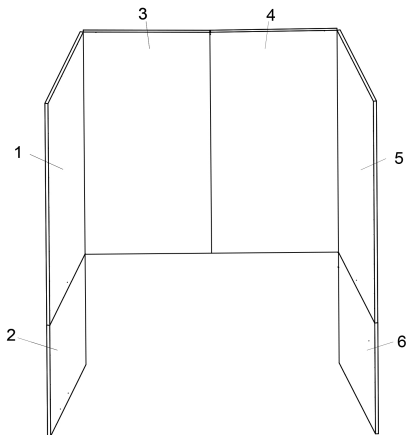
The product must be packed in original honeycomb crate with the cover well taped to the top to avoid the loss of unprotected product/parts during transportation. The foam paper spacers must be used in between each panel (original packing includes foam paper spacers), and accessories must be packed individually to protect them from scratches or damages. We appreciate your efforts to pack the returns well and apologize for any inconvenience you may have. Since the wrapping straps are cut during unpacking, commercial grade packing tape should be used to attach the cardboard protective cover to the top of the honeycomb crate. The lightweight cardboard cover will allow for the tape to adhere to the cardboard crate and hold the top cover in place. Please feel free to give us a call if you need assistance with proper packaging and more explicit directions at 1-800-480-6850.

Please refer to your purchased shower wall package.

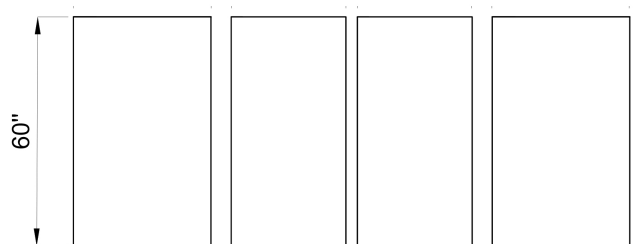
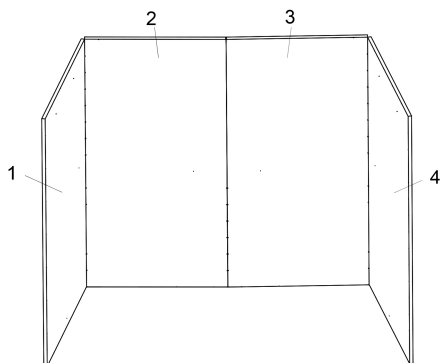
8 Piece Shower Panel Surround



6 Piece Shower Panel Surround

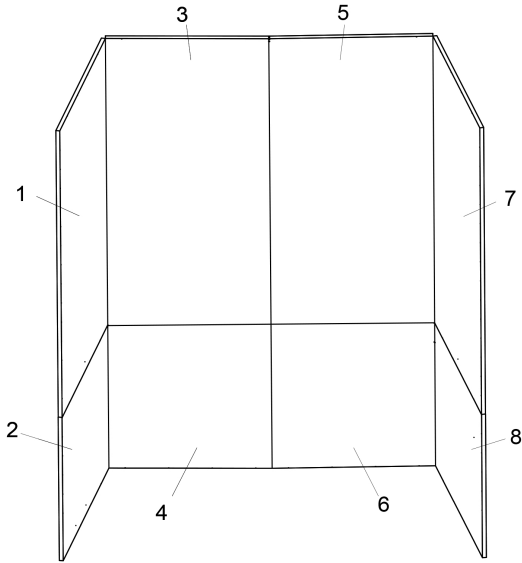


4 Piece Shower Panel Surround



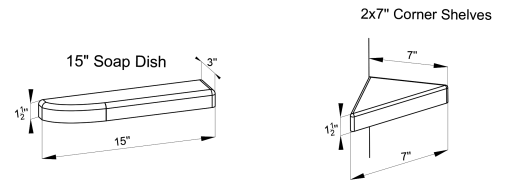
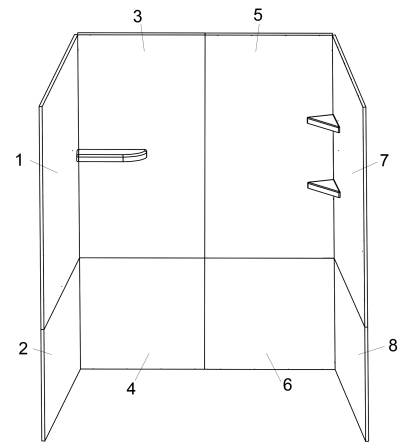
Please refer to your purchased accessory package.

Package 1



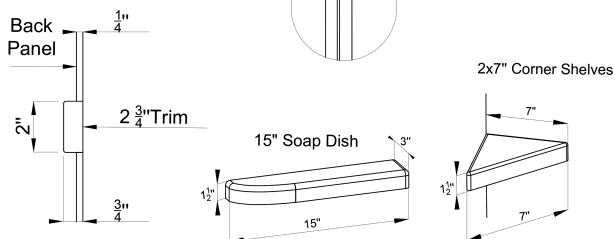
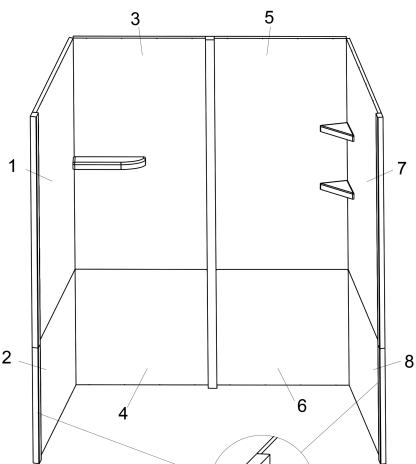
Package 2

Soap dish + 2 corner shelves



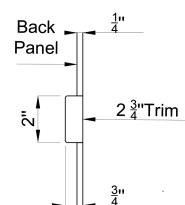
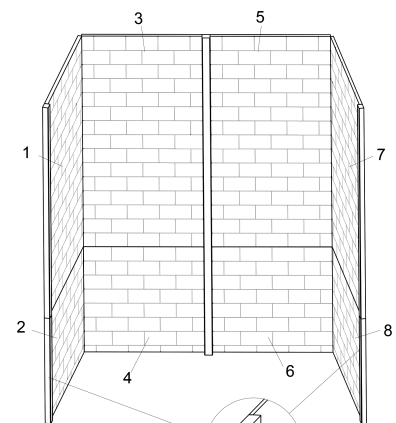
Package 3

Trim + soap dish + 2 corner shelves

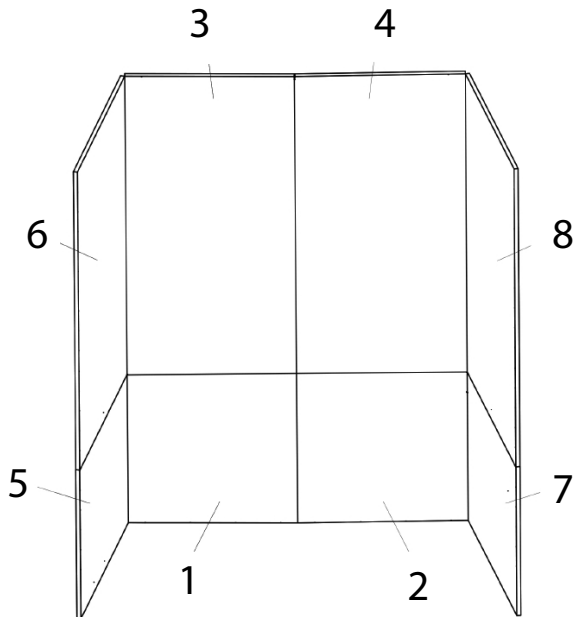


Package 4

Trim

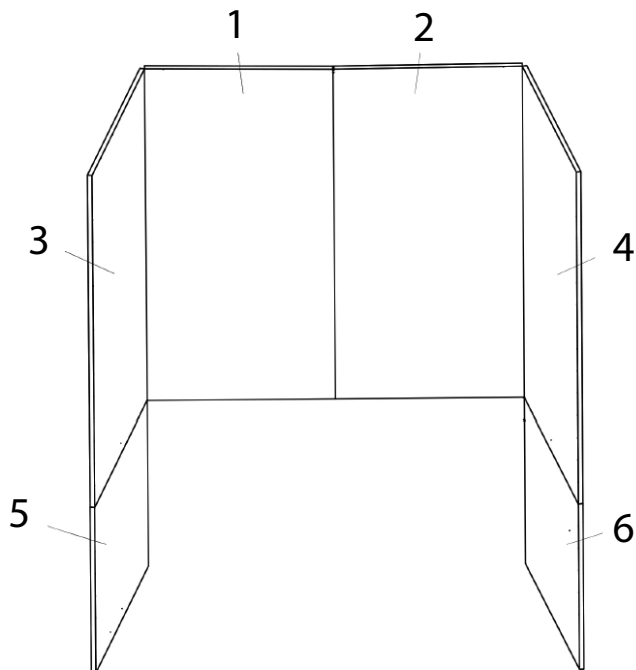


### 8 Panel Surround

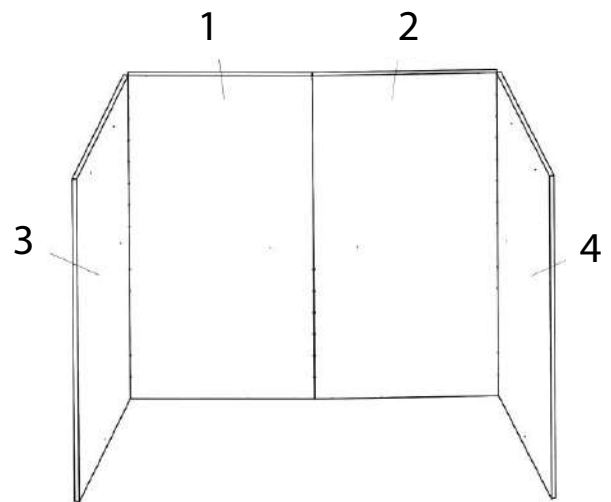


After the shower base or bathtub is installed, please follow the correct sequence of panel installation by referring to its respective drawing.

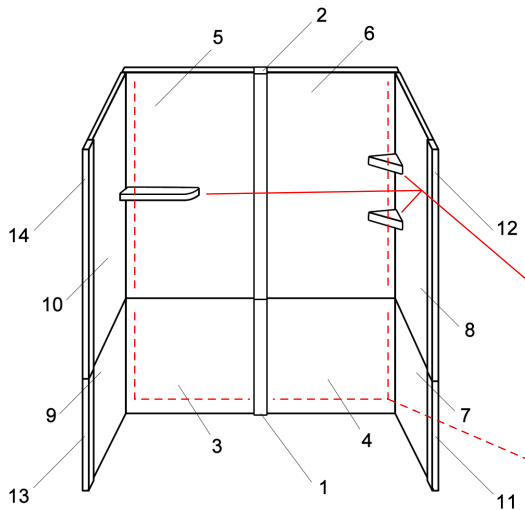
### 6 Panel Surround



### 4 Panel Surround



Accessory Package - 3 & 4

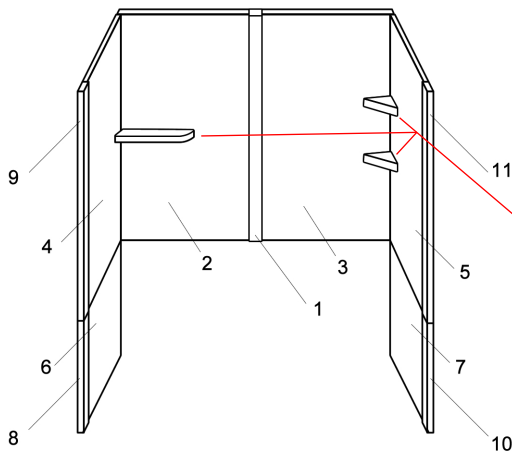


Follow the sequence order for Installation.

- 1, 2 - Install 2" trims 1st.
- 3, 4, 5, 6 - Install backwall panels
- 7, 8, 9, 10 - Install side panels
- 11, 12, 13, 14 - Install 2"x30" & 2"x60" trims

**Install Shelves Last**

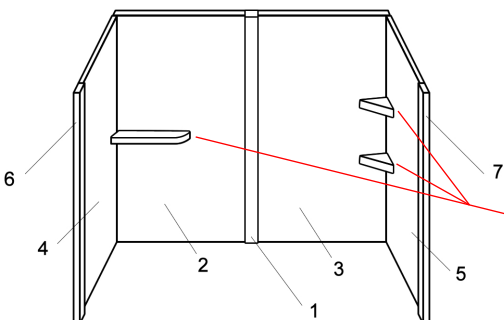
Panels cut in corners to size  
(Use smooth factory edges on seems)



Follow the sequence order for Installation.

- 1 - Install 2" trim 1st.
- 2, 3 - Install backwall panels
- 4, 5, 6, 7 - Install side panels
- 6, 7 Cut panels at floor to fit factory strait edges to top.
- 8, 9, 10, 11 - Install 2" trim

**Install Shelves Last**



Follow the sequence order for Installation.

- 1 - Install 2" trim 1st.
- 2, 3 - Install backwall panels
- 4, 5 - Install side panels
- 6, 7 - Install 2" trim

**Install Shelves Last**



1. Circular Saw with a masonry blade
2. Drill for using hole saws
3. Saw horses
4. 2x4s for saw horses to help support the panels
5. Sandpaper (recommend using 80 grit) for sanding cut edges
6. Tape measure
7. Pencil
8. 24" level
9. Acetone
10. Dry rag
11. Hole saw or jig saw to cut holes for plumbing fixtures
12. 100% Silicone must be used for panel installation
13. Latex caulk for marble to drywall seams
14. 1" x 2" or 1" x 4" material for bracing panels
15. Denatured alcohol

Blade  
example



Silicone  
example



**Warning: Use denatured alcohol to clean off the silicone of caulking sealant off the panels, trims, or shelves before it is dried.**

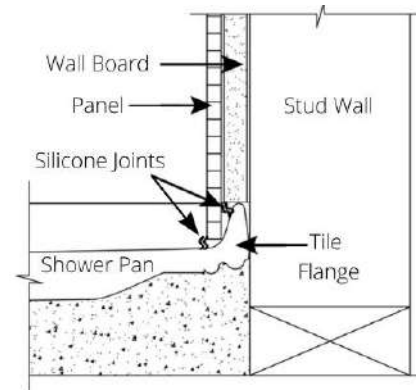
**Do not use any cleaners with color or tint. Use only colorless cleaners, denatured alcohol or cleaners recommended for marble.**

## Important Information

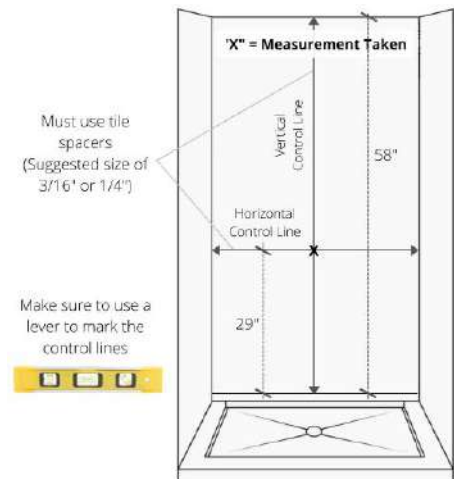
1. Handling the material in extremely cold temperatures requires extreme caution, as the panels are more fragile in extremely cold temperatures. When possible, store all material in a heated area at least 24 hours prior to being handled for installation.
2. If installing grab bars, blocking shall be placed in the desired location prior to the wall substrate being installed. Once the panel is installed, all screw holes shall be pre-drilled through the panel, so the screw can pass freely through and into the blocking. The holes shall be drilled slightly larger than the screw to avoid any part of the threads coming in contact with the panel. The panels are not designed to support the tension placed on the bar. Tighten all screws with caution for the panels can be cracked or broken if the screw is over tightened.
3. If planning to install the panel system over existing tile, make sure the tile is free of mold and mildew and that all tiles are still well adhered to the substrate. Follow all standard instructions for cutting and installing, with the exception of the adhesive to be used. When installing against existing tile, use only 100% Silicone. The Silicone will provide better adhesion to the tile than the construction adhesive.
4. If installing tile panels with a pattern design, please follow all instructions closely. The grout joints will not align from panel to panel unless they are installed exactly as instructed and with the use of spacers. This is the single item that creates the largest number of customer complaints and requires the purchase of additional material. In ALL cases, where the joints are misaligned, the material was installed in a manner other than the one explained in this installation guide. Generally, panels must be cut to size on all sides in order to be installed correctly and to help align the grout lines.

## Installation Steps

**1.** The shower pan should always be set in place prior to installing the wall substrate (examples: green board, Durock or other). The wall substrate (wall panels) must be installed and leveled on all 3 sides to ensure the same width of the wall from top to bottom. The shower pans must have attached flanges to prevent leakage. The sub wall must overlap the tile flanges to ensure cultured marble panels remain flush against the wall and to prevent the panels from bowing out at the bottom.



**2.** Use a tape measure to locate and mark the center of the back wall. Example: If the back wall is 58," the middle vertical line will be at 29." Use the level to draw a vertical control line (VL). The 2" trim must be installed first if it is included in your shower wall package. If the 2" trim is not included, then proceed with the bottom panel installation first. Next, locate and draw the horizontal control (HL) line. If you chose 30"x30" panels for the bottom row, please measure the HL to 30" height. We suggest using 3/16" or 1/4" tile grout line spacers for all joints so that the grout joints will align equally from panel to panel.



**3.** Fitting/Cutting Back Panels- Make a template (use shipping carton) to check the layout of the back panels so they are perfectly aligned before you cut. Manufactured cut edges should always be sided and placed together (inside). Trimmed edges should go on the outside against the wall. Measure carefully before cutting: you can always trim down, but you can never add more on. After you have double checked your measurements, use the circular saw to make a clean and straight cut. For precise cutting, we recommend a straight edge guide. Use painters tape attached to the surface of the panel to protect it from scratches when using circular saw.



# Installation Instructions for Cultured Marble Shower Panels

**4.** Dry fit the panels to make sure they properly fit before applying adhesive to the wall. Once you have a confirmed fit, wipe down both the wall and the unfinished side of the panel to make sure both are free from dust and debris. We recommend using 100% Silicone during installation. Avoid the excessive use of silicone from squeezing onto the surface of the joining panel. Cleaning 100% Silicone from the surface is difficult, so please avoid excess silicone from getting on the panel surface. Use denatured alcohol to clean panels immediately after the application.



**5.** Apply a 1/8" bead of adhesive to the back side of the panel using a "zig-zag" pattern. Carefully position the panel on the back wall of the alcove and align it to the previously marked control lines/guidelines. Press the panel in place, working from the top edge to the bottom. We strongly recommend using tile spacers so that the grout joints will align equally from panel to panel. Place the second panel on the wall following the same steps. Lay a thin bead of color matching caulk between the panels. The cultured marble wall panels are handmade in molds and panel thickness may vary. You must use shims to stick under the panel to raise and align as needed to maintain a proper fit and alignment.



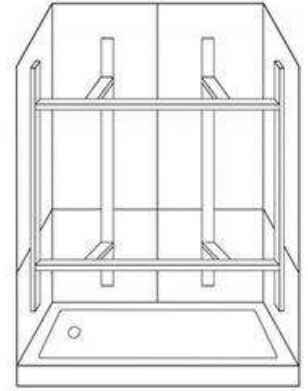
**6.** Follow the same procedure for the remaining center and side walls starting from the center bottom panels, then side bottom panels, and finally repeating these steps for the top row of panels.





# Installation Instructions for Cultured Marble Shower Panels

7. Once the panels are installed, add (1x4 or 1x2 scrap) bracing in place, or where necessary, to make sure the panels remain in place while the adhesive cures (suggested cure time is overnight). Be aware that while the braces should hold firmly against the panels, excessive pressure could damage or crack the panels. Use caution when placing the bracing or pushing the panels against the wall by hand. Once the panels are installed and glue is cured, the panels maintain durability and strength. Additional bracing will be needed to support the trims to keep them in place as the glue cures.



8. Final Caulking- After the adhesive has had time to dry (24hrs), remove the bracing and caulk all of the unfinished joints with 100% matching color silicone. Use white waterproof caulk around the shower base for a nice, and clean finish. Make sure there are no gaps or holes in the bead of the caulk and follow professional methods to have a smooth caulking finish.

Denatured alcohol works well to clean up excess caulk and to maintain a nice bead. Spray area with denatured alcohol from a spray bottle before wiping to prevent silicone from spreading over the panel. Let silicone dry for 24 hours.

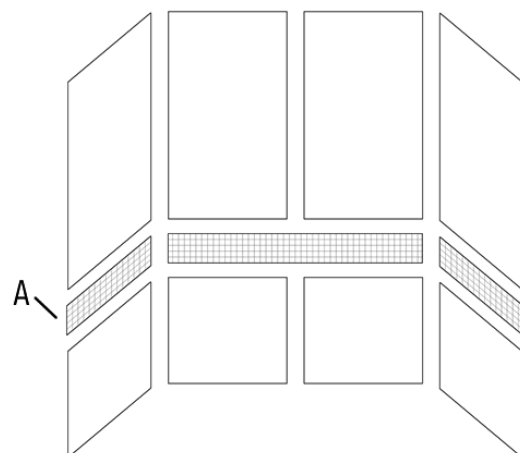
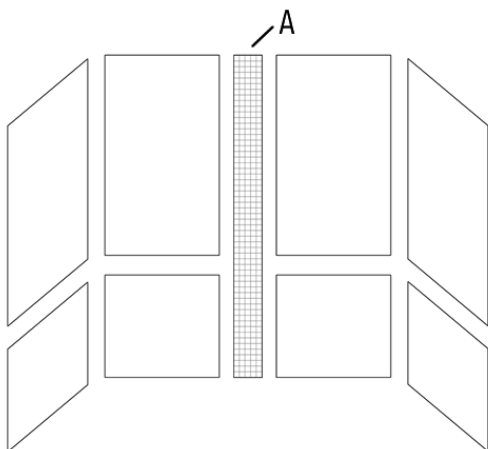
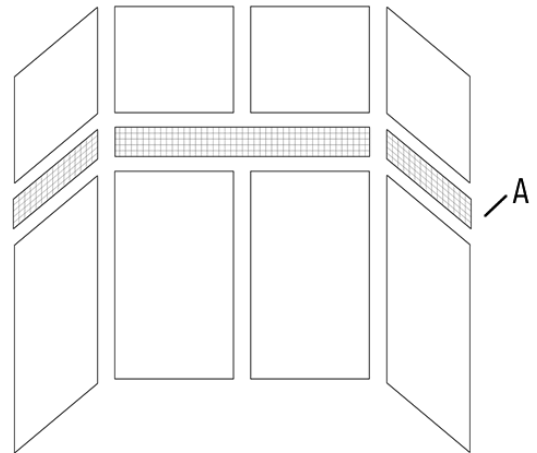
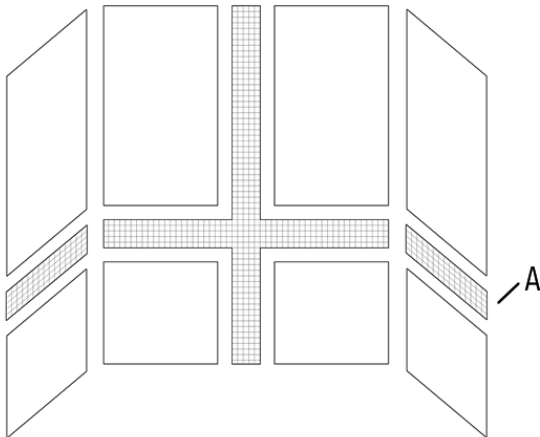
**\*Experience is a must**



Final Result Pictured with Travertine Cultured Marble Shower Walls Pkg. 3, a Cultured Marble Shower Seat, a Cultured Marble Shower Base, and the Primo 8mm Chrome Tempered Glass Sliding Door



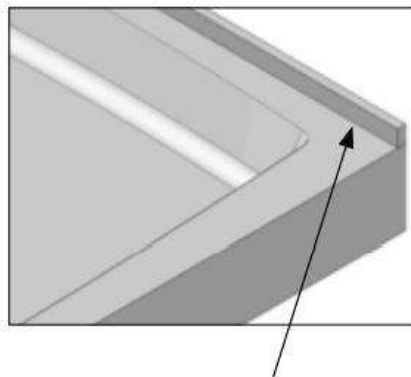
Please see the below installation ideas for adding decorative or mosaic tile (marked A in drawings). Decorative tiles (not included) can be purchased by the customer and installed in between shower wall panels as a decorative accent strip or if the joint lines of panels do not meet customer's expectations. The wall panels do not have rounded off edges, so it is suggested to add mosaic or decorative tile strip (optional). By adding decorative tile between the panels can also be used to increase the size of the walls. For example, 6" mosaic tiles can be added between the 30" and 60" panels to achieve an 8' high shower wall. The 3/4" thick 2" trim also can be used as a separation piece between 2 panels and can be purchased separately if not initially included in your package.



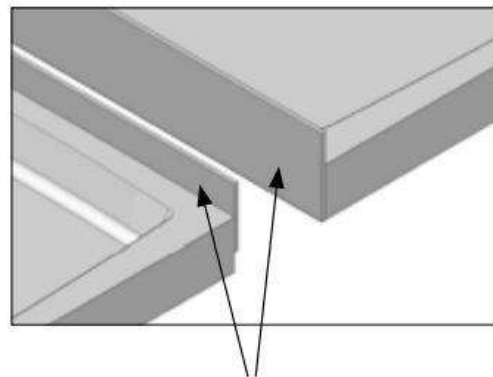
## ⚠ Important Information ⚠

Prior to starting the installation, please read the notes below as they will help plan your installation and avoid unnecessary breakage. Ella's Bubbles is not liable for breakage due to mishandling or improper installing.

1. All shower pans rest on sub-floors, not finished floors. Ella Cultured Marble Shower Bases have been custom designed to drain properly if installed on a leveled surface.
2. Most floors are not leveled. It is best to check the floor level before installing the base. If the floor is not leveled, float the floor with mortar or another suitable material and allow the material to dry before setting the base. Uneveled floor conditions or variances in the bottom of pan within production tolerance may result in the need to use a thin-set material for installation.
3. **DO NOT** use either the integral flanges or the leak-proof fiberglass flanges to lift or handle the base (see below diagram). They are not handles, and it is critical that they are not damaged or broken during installation. Flanges ensure the base will not leak in the event there is a drain problem and water overflows the basin. They also prevent water from getting in behind the wall.



INTEGRAL MARBLE FLANGE



ATTACHED FIBERGLASS FLANGE

## Installation Steps



**1.** Measure carefully to determine the plumbing position and create plenty of access.



**2.** The marble base is VERY heavy. Get adequate help to move it into position.



**3.** Push the shower base carefully in leaving about a half inch clearance from the back wall to accommodate flanges.



**4.** Mask off the rim of the shower base to protect it from dirt, scratches, and other potential damage.



**5.** Cut a piece of cardboard to fit it in the pan for complete protection of the base.



**6.** Clean the base thoroughly before placing the cardboard protection plate down.



## Installation Steps



**7.** The shower base comes with a flange kit for proper fitting and to prevent water leaks.



**8.** Run a bead of silicone caulk down the lower third of the flange keeping about an inch to an inch and a half above the shower base.



**9.** Place the flange carefully against the back side of the shower base making sure you have a good seal. Overlap the edge slightly so the flange will seal correctly at the corners.



**10.** Slide the base in so it's snug against the flanges.



**11.** Add a bead of 100% silicone caulk after the base is set.



**12.** You may require shims for a tight fit for the flanges. Use as many cardboard shims as needed to secure a tight fit. Then, tack them into place.

## Installation Steps



**13.** Place a bead of 100% silicone caulk on the cardboard shim so it seals tightly against the back side of the flange.



**14.** Run a bead of 100% silicone caulk on the lower third of the flange.



**15.** Slide the shims carefully into position leaving one to one and a half inches of clearance from the top of the base.



**16.** Run another bead of 100% silicone caulk concealing the base and the flange. Make sure there are no gaps in your bead of silicone.



**17.** Repeat the same process for the other side using the proper amount of shims and sealing them with a bead of 100% silicone caulk.



**18.** Always keep a clean work area and make sure to clean up residual silicone seepage with denatured alcohol.

## Tools and Materials Required:

- Torpedo Level
- Caulk Gun
- Hot Glue Gun
- Silicone 100% (to be used with Caulk Gun)
- Hot melt glue (to be used with Hot Glue Gun)
- Denatured Alcohol
- Pencil/Marker



1. Use denatured alcohol to clean the surface of the wall and the desired placement of the shelf. DO NOT clean this product with any abrasive material or cleanser. (i.e., steel wool, Comet, Ajax, Soft Scrub, etc.). These abrasives will dull the lustrous finish.

2. Using a leveler, draw a short line to mark where the shelf will be installed.

3. Prepare a hot glue gun, and a caulking gun with 100% silicone.

4. Measure the leveling support rod to fit the corner shelf. If needed, cut one of the support rods to the appropriate length to ensure it will be concealed.

5. Apply a thin line of hot glue on the back of the support rod. Then, attach it to the line you previously marked. Repeat this process for the second support rod.

6. Apply a thin line of silicone around the perimeter of the back side of the shelf. Be mindful of the amount used in order to ensure the silicone will not spread beyond the edges on the wall.

7. In order to attach the shelf to the wall instantly, apply a line of hot glue across the middle section of the shelf. Only use enough to ensure the shelf will stick to the wall.

8. Attach the adhesive side of the shelf to the wall.

9. Once the shelf is placed on the wall, finish applying silicone around the edges of the shelf. Using denatured alcohol, clean off any excess silicone around the edges of the shelf and wall.

10. For precautionary purposes, apply masking tape over the shelf and attach it to the walls to hold it in place.



# Installation Instructions for the 15" Shelf

## Tools and Materials Required:

- Torpedo Level
- Caulk Gun
- Hot Glue Gun
- Silicone 100% (to be used with Caulk Gun)
- Hot melt glue (to be used with Hot Glue Gun)
- Denatured Alcohol
- Pencil/Marker



1. Use denatured alcohol to clean the surface of the wall and the desired placement of the shelf. DO NOT clean this product with any abrasive material or cleanser. (i.e., steel wool, Comet, Ajax, Soft Scrub, etc.). These abrasives will dull the lustrous finish.

2. Using a leveler, draw a short line to mark where the shelf will be installed.

3. Starting in the center of the holes, measure and mark the distance between the 2 holes located in the back of the shelf.

4. Drill 2 holes into the wall and install 2 anchors. Then, screw 2 wide head screws into the wall. These screws will be inserted into the 2 back holes of the 15" shelf.

5. Prepare a hot glue gun, and a caulking gun with 100% silicone.

6. With the caulking gun filled with 100% silicone, squeeze the silicone into the 2 holes of the shelf until it slightly overflows in order to assure it will touch the wall when the shelf is pushed against the wall.

7. Apply silicone around the perimeter of the back side of the shelf. Be mindful of the amount used in order to ensure the silicone will not spread beyond the edges on the wall.

8. In order to attach the shelf to the wall instantly, apply a line of hot glue across the middle section of the shelf. Only use enough to ensure the shelf will stick to the wall, and be sure to avoid the 2 holes.

9. Attach the adhesive side of the shelf to the wall.

10. Once the shelf is placed on the wall, finish applying silicone around the edges of the shelf. Using denatured alcohol, clean off any excess silicone around the edges of the shelf and wall.

11. For precautionary purposes, apply masking tape over the shelf and attach it to the walls to hold it in place.



## Cleaning Guidelines

- For regular cleaning, use only mild detergents or warm soapy water applied with a soft cloth.
- Always rinse the surface after cleaning and dry by blotting with a damp cloth or chamois.
- Do not use scouring pads, gritty materials or cleaners that are not recommended.
  - Use denatured alcohol to clean off the silicone or caulking sealant off the panels, trims, or shelves before it is dried.
- Do not use any cleaners with color or tint. Use only colorless cleaners, denatured alcohol or cleaners recommended for marble
- If you have any questions, please call Ella's Bubbles customer service at (800)- 480-6850

## Recommended Cleaning Products

Dawn® Dish Detergent  
Rubbermaid® CommercialStrength Shower Tub & Tile Cleaner  
Home Depot HDX Shower Tub & Tile Cleaner  
ScrubFreeOriginalSoapScum Remover  
Kaboom Shower Tub & Tile Cleaner with OxiClean  
Simple Green All Purpose Cleaners (any scent)  
Simple Green Lime Scale Remover  
Simple Green Natural Bathroom Cleaner  
All Tilex Products  
All Pine-Sol Products  
All Clorox Franganzia Products





## Cultured Marble Shower Wall Surround & Base Limited Lifetime Warranty

Ella's Bubbles (EB) warranty to the original purchaser or primary owner of it's products are as follows:

This limited lifetime warranty is extended to the first purchaser to be free from defects in workmanship and material under normal use and conditions from the date of the original purchase. This warranty is nontransferable and applies only to the original owner and to the original installation place/address.

The finish warranty does not apply to fading, cracking, delaminating or blistering due to excessive wear, sun fading or scouring due to cleaning. This warranty shall not apply to any failure resulting from negligence, abuse, misuse, misapplication, alteration, modification or improper maintenance.

Should service be required for any reason of any defect or malfunction of the product, Ella's Bubbles will ship the part to the original customer's address without charge (subject to verification of the defect or malfunction). This warranty does not cover shipping damages. Ella's Bubbles will not be liable for any incidental expenses or material charges in connection with removal or replacement of the product or parts. Delivery time is based on parts availability and location. Emailed, texted or mailed photos/proof of defective product and description of the problem is required.

The Manufacturer will not be responsible for any water damage to structures or property for any reason including but not limited to manufacturer defect or improper installation. Manufacturer will assume no responsibility for the loss of the system, inconvenience due to loss, damage to real or personal property or any other consequential damage. Manufacturer will not be liable for any incidental expenses or material charges in connection with removal or replacement of the purchased part or any part or parts of the system. This warranty shall not apply to any type of failure resulting from negligence, abuse, misuse, misapplication, improper installation, alteration or modification, chemical corrosion or improper maintenance. Ella's Bubbles reserves the sole authority to make any type of warranties or representations concerning its products and will not be responsible for any warranties or representations made by any outside source including dealers, retailers, distributors or contractors. Ella's Bubbles does not warrant the installation or replacement of any of our products/parts.

**TO THE EXTENT PERMITTED BY LAW, ALL IMPLIED WARRANTIES INCLUDING THOSE OF MERCHANTABILITY AND FITNESS FOR A PARTICULAR PURPOSE ARE HEREBY DISCLAIMED.**

Ella's Bubbles and seller hereby disclaim any liability for special, incidental, or consequential damages. Some states/provinces do not allow limitations on how long an implied warranty lasts, or the exclusion or limitation of special, incidental or consequential damages, so these limitations and exclusions may not apply to you. This warranty gives you specific legal rights. You may have other rights, which vary from state/province to state/province.