

**Actual Size:** 55" x 36" x 40" • (140 cm x 91 cm x 101 cm)

**Seat Width:** 29" • (74 cm)

**Shipping Size:** 57" x 38" x 50" • (145 cm x 97 cm x 127 cm)

**Net Weight:** 220 lbs. • (100 kg)

**Shipping Weight:** 300 lbs. • (136 kg)

**Unoccupied Water Capacity:** 90 gal. • (3341 L)

**Occupied Water Capacity:** 55-75 gal. • (208 - 284 L)

**Drainage Time:** +/- 160 seconds at ideal plumbing conditions (unoccupied)

## Included Features:

1. Acrylic Tub Shell
  - Gloss white finish
  - Fiberglass gelcoat reinforced
2. Stainless steel frame with adjustable leveling Legs.
3. Plastic composite tempered glass L-shape outward swing door with a 2 latch gear and shaft door mechanism.
4. Removable front apron with two access panels.
5. One removable and reversible end panel.
6. Stainless steel chrome finish U-shape wall mounted grab bar.
7. Stainless steel white rubberized wall mounted grab bar.
8. Reversible extension filler kit for 60" alcove installations.
9. Two (2) 2 inch PVC drains with 2 end caps included. Each drain has two (2) 2 inch outlets, one overflow and a stainless steel operated opener with extended handle in chrome finish.

## Jetting & Therapy Options:

1. Air + Hydro + Hydro/Foot Massage + Microbubble (Multicolor LED Light Included)
2. Air + Hydro + Hydro/Foot Massage (Multicolor LED Light Included)
3. Hydro + Hydro/Foot Massage (Multicolor LED Light Included)
4. Air + Hydro + Microbubble (Multicolor LED Light Included)
5. Air + Hydro Massage (Multicolor LED Light Included)
6. Hydro Massage + Microbubble (Multicolor LED Light Included)
7. Hydro Massage (Multicolor LED Light Not Included)
8. Soaking Option Only (Multicolor LED Light Not Included)



## Jetting Options

### Hydro Massage

- Hydro Massage Pump
- Hydro Massage Intensity Dial Control
- Ozone Sterilization
- 13 jets
- On/Off Push Control
- In-line Water Heater

### Hydro + Hydro Foot Massage

- 2 Hydro Massage Pumps
- 2 Hydro Massage Intensity Dial Controls
- Ozone Sterilization
- 13 jets
- On/Off push control
- In-Line Water Heater

### Air Massage

- Air Massage Pump
- 3 Speed Pump
- Auto-purge (Activates 20 minutes after pump shutdown)
- 16 jets
- On/Off push control

### Microbubble Therapy

- Air Pressure Pump
- Pressure Tank
- On/Off push control

### Optional Features

1. Heated Seat and Backrest
2. Digital Controller

**Note:** Multicolor LED light with On/Off push control is NOT included with the following packages: Hydro and Soaking.

**Disclaimer\*:** AMP value for each pump may change based on availability. Please verify before purchase. (800.480.6850)

### Electrical Requirements

Dedicated GFCI protected electrical line(s)

## Faucet Options

### Five-Piece Fast Fill Faucet

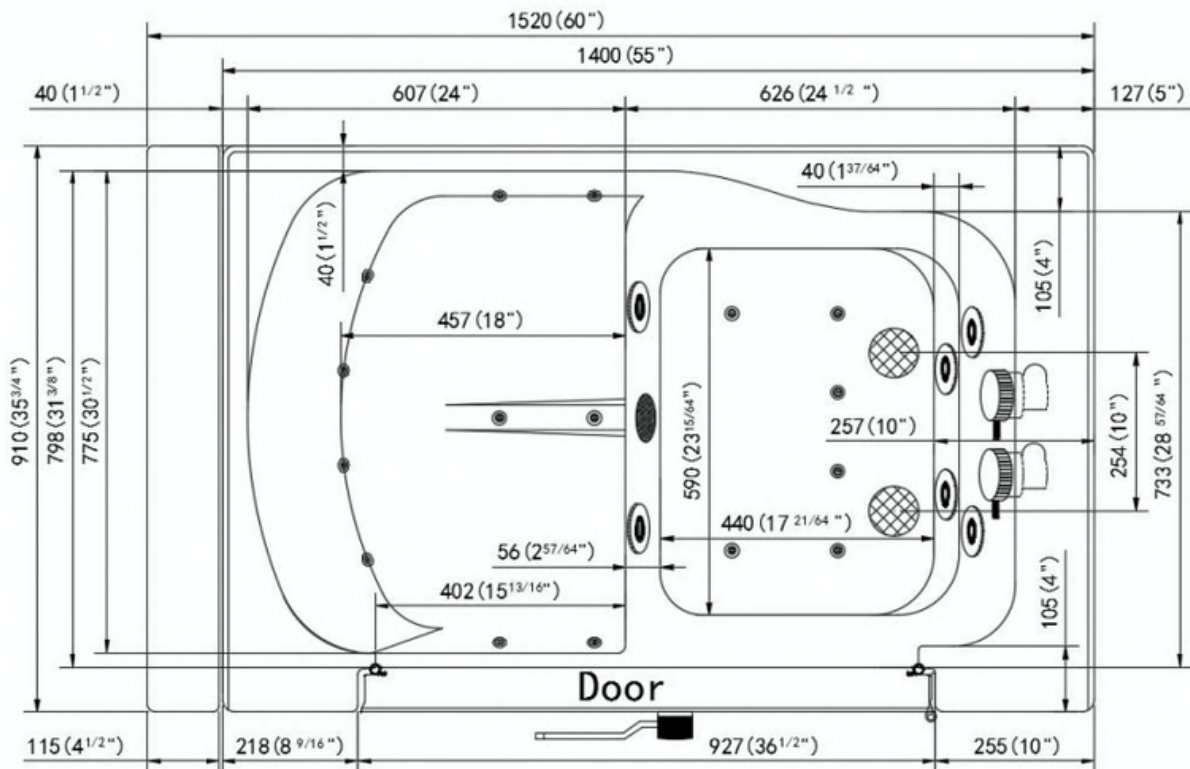
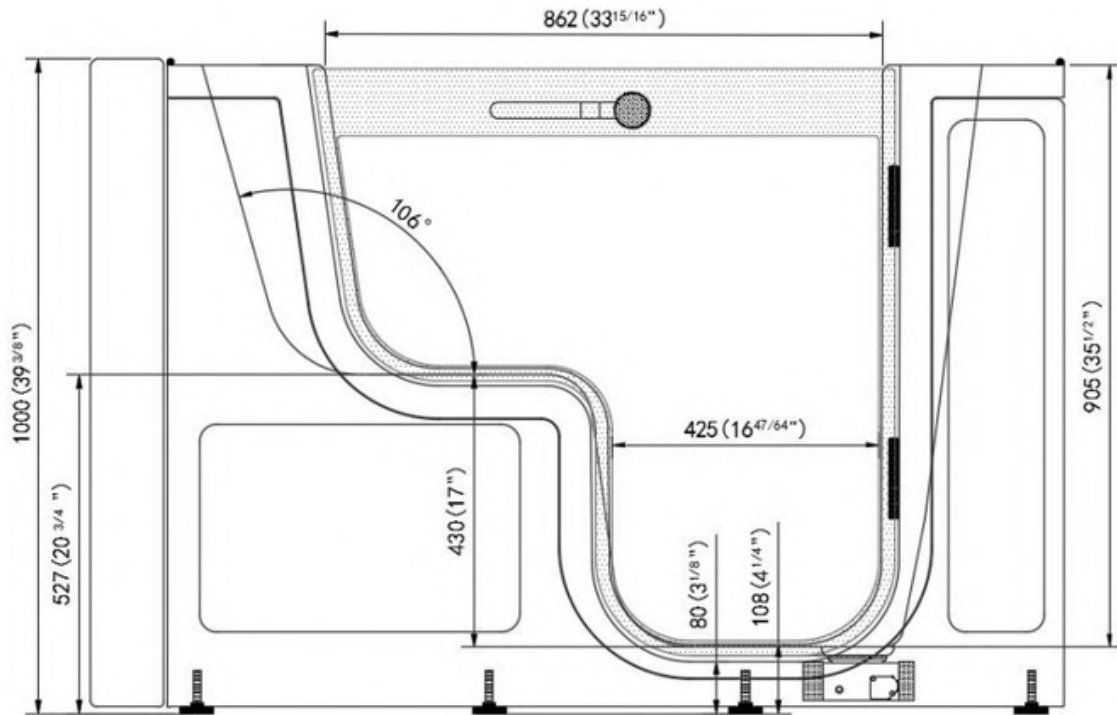
- Up to 18 GPM @ 60 PSI an ideal in-home plumbing conditions
- Two 5' water supply lines with 3/4" connectors
- Pull out, hand held, chrome plated hand shower with a 5' ft. retractable stainless steel braided hose



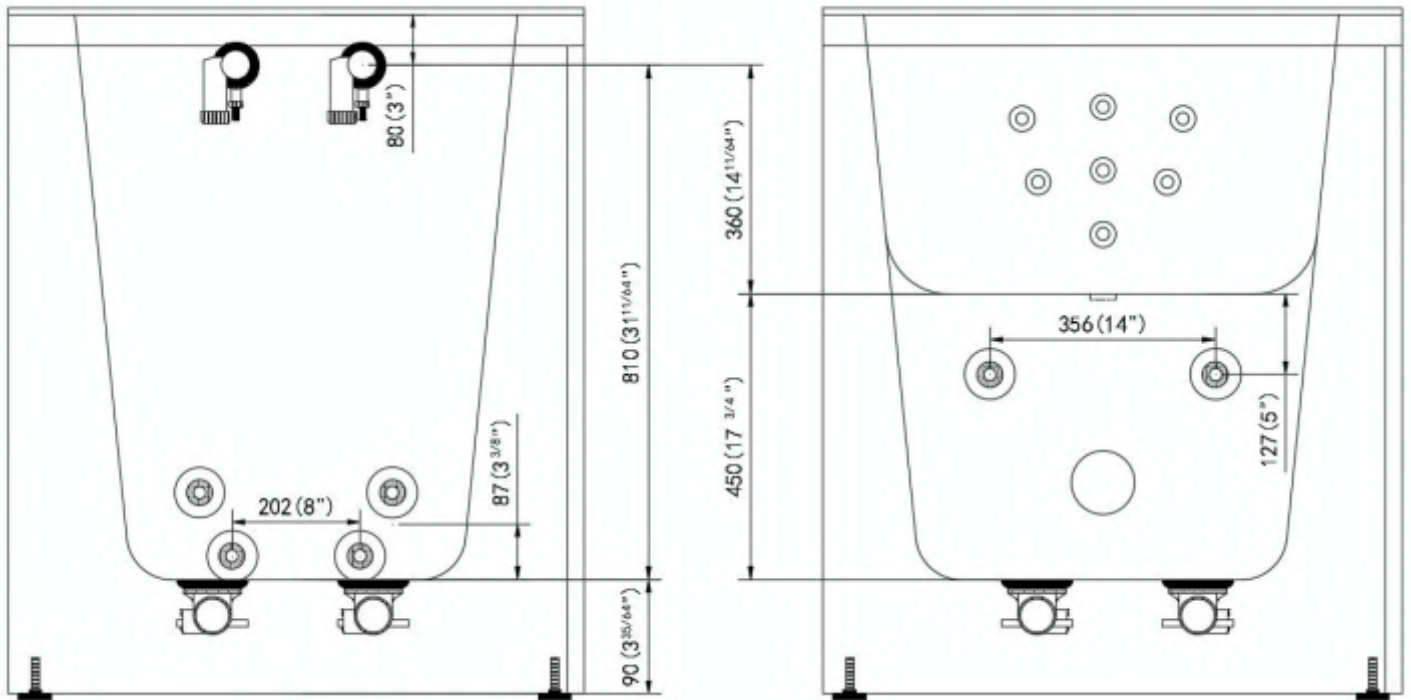
### Warranty

- Lifetime limited\* warranty on shell, frame, door, and parts to original purchaser/Address • Labor or installation is not covered - please refer to the Ella warranty certificate
- Non Ella brand faucets covered under manufacturers original warranty

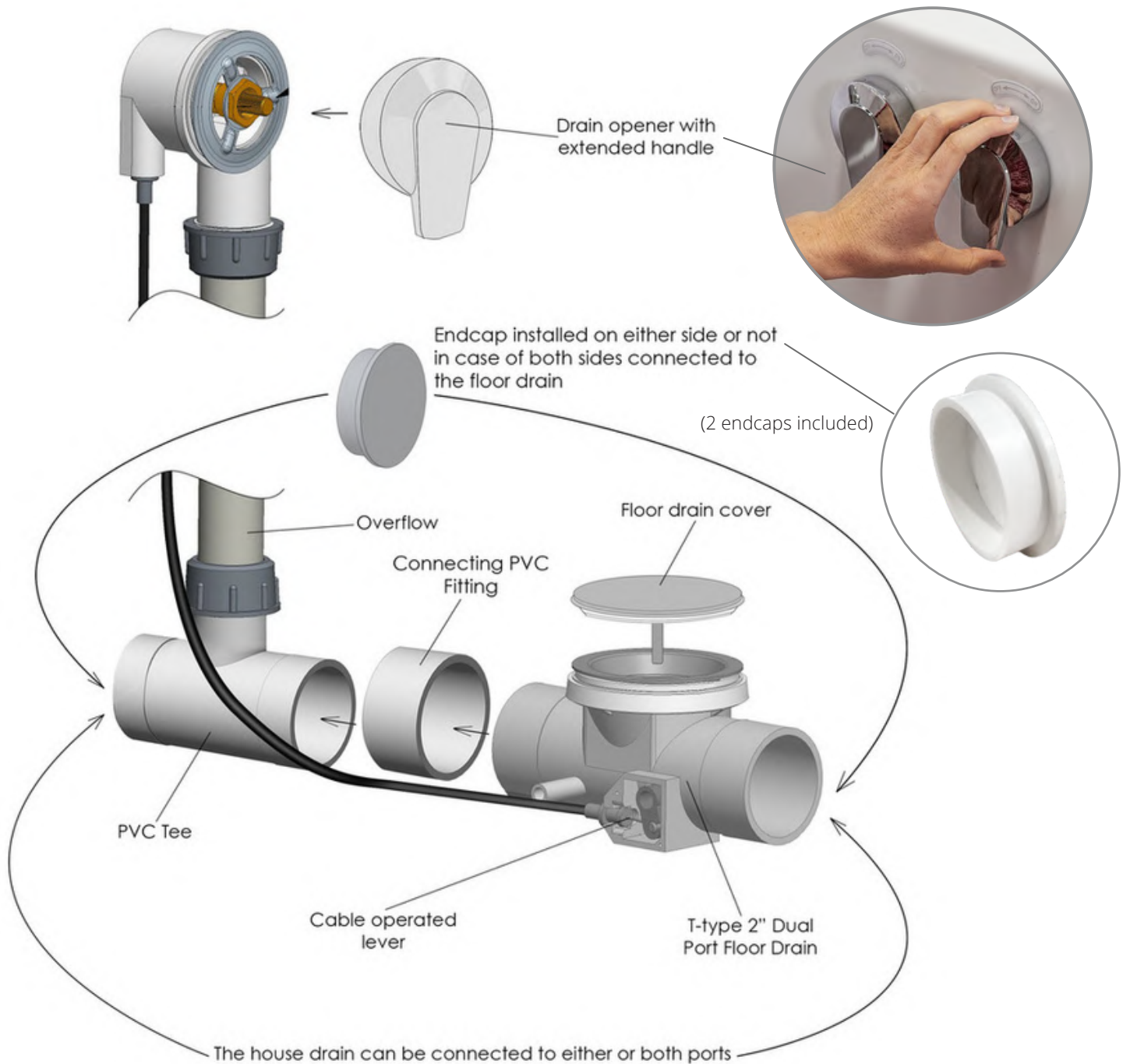
# TransferXXXL Acrylic Wheelchair Accessible Outward Swing Door Walk-In Bathtub Specifications



# TransferXXXL Acrylic Wheelchair Accessible Outward Swing Door Walk-In Bathtub Specifications



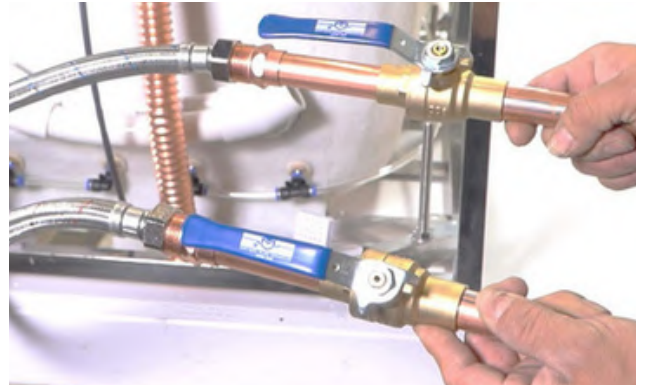
## Dual Drain Technology - Two 2 Inch Independent Floor Drains



Two 3/4" connector water supply lines included with Ella Fast Fill Faucets



Connect to Shut  
Off Valves  
(not included)



All electrical fixtures  
connect to a dedicated  
GFCI protected outlet.



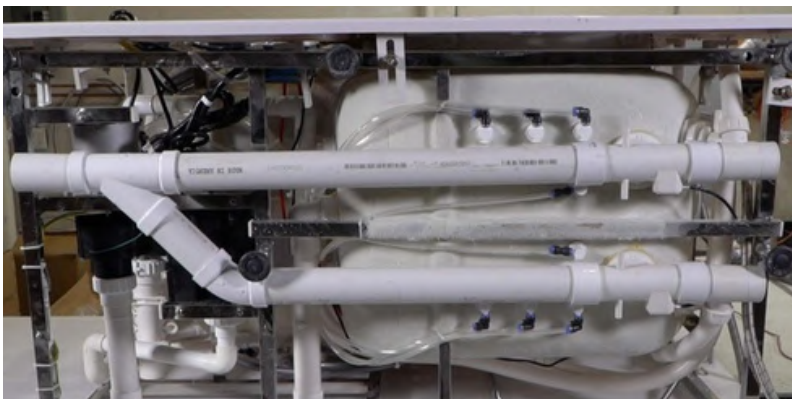
Drain Cap

Use a drain cap to close  
unused drain port.



T-Type four (4) 2" drain ports  
allow for the drain pipe to be  
installed in either direction.

Images below show examples of PVC pipe  
connections (not included). Reducers can  
be used to connect smaller drain pipes.



# Ella 5 Piece Single Lever Fast-Fill Faucet

**Description**

Solid brass spout in a chrome finish with a 5-setting pull out hand shower mixer including a 5' braided hose. Two 3/4" 5' braided stainless-steel supply lines are included along with Cold/Hot levers with a diverter for the hand mixer.

**Flow**

- Hand shower is limited to 1.9 GPM (7.5L/min)
- Faucet fill rate designed for 18 GPM (68.1L/min)

**Cartridge**

- 40mm high flow cartridge design
- Non metallic/non ferrous and stainless-steel material



## Ella 5 Piece Fast-Fill Faucet Contents

